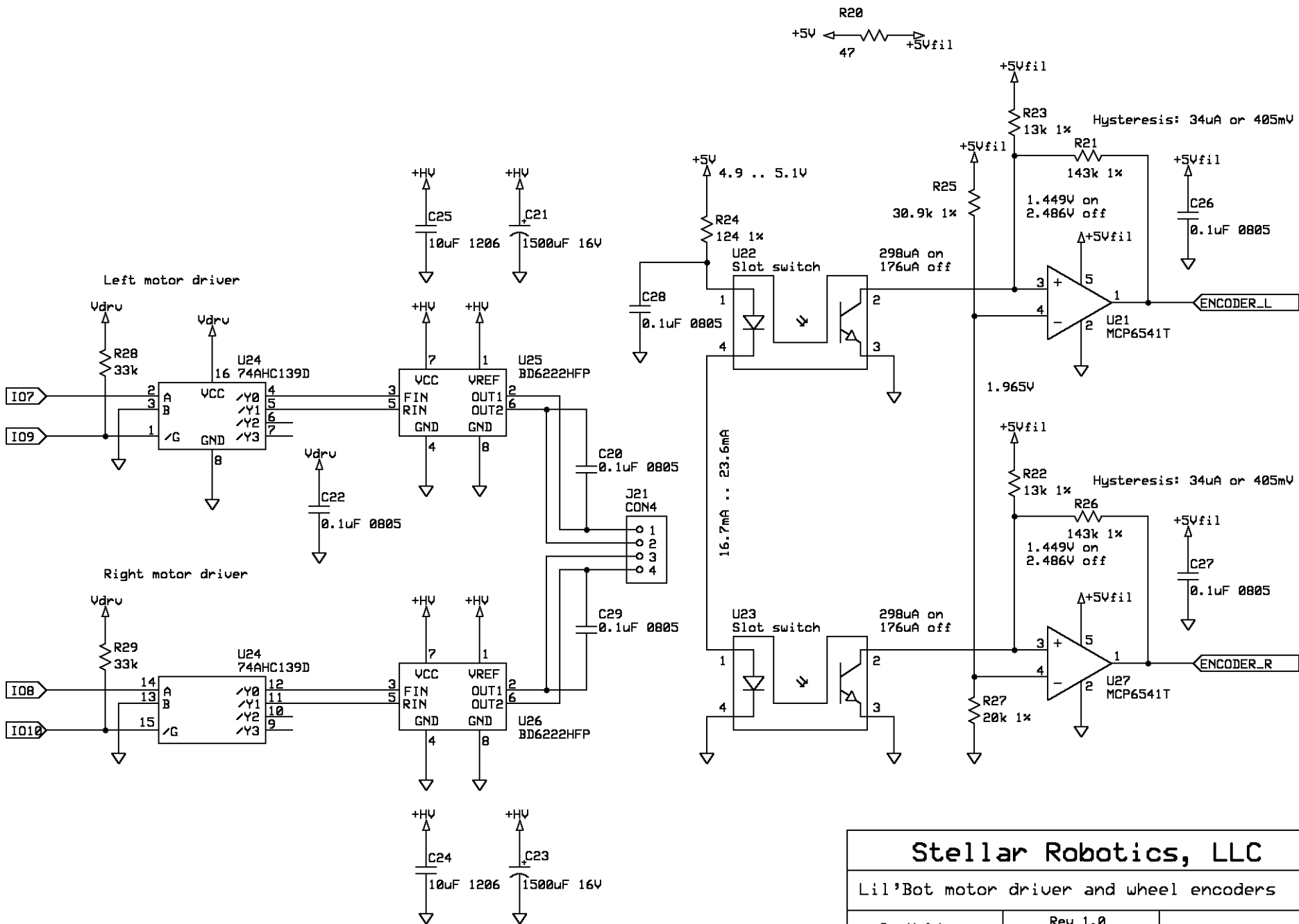
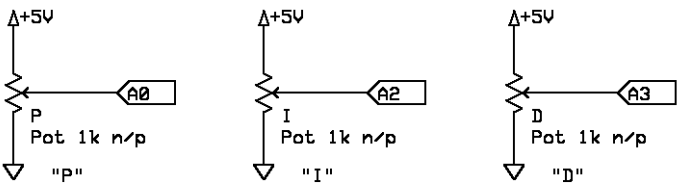
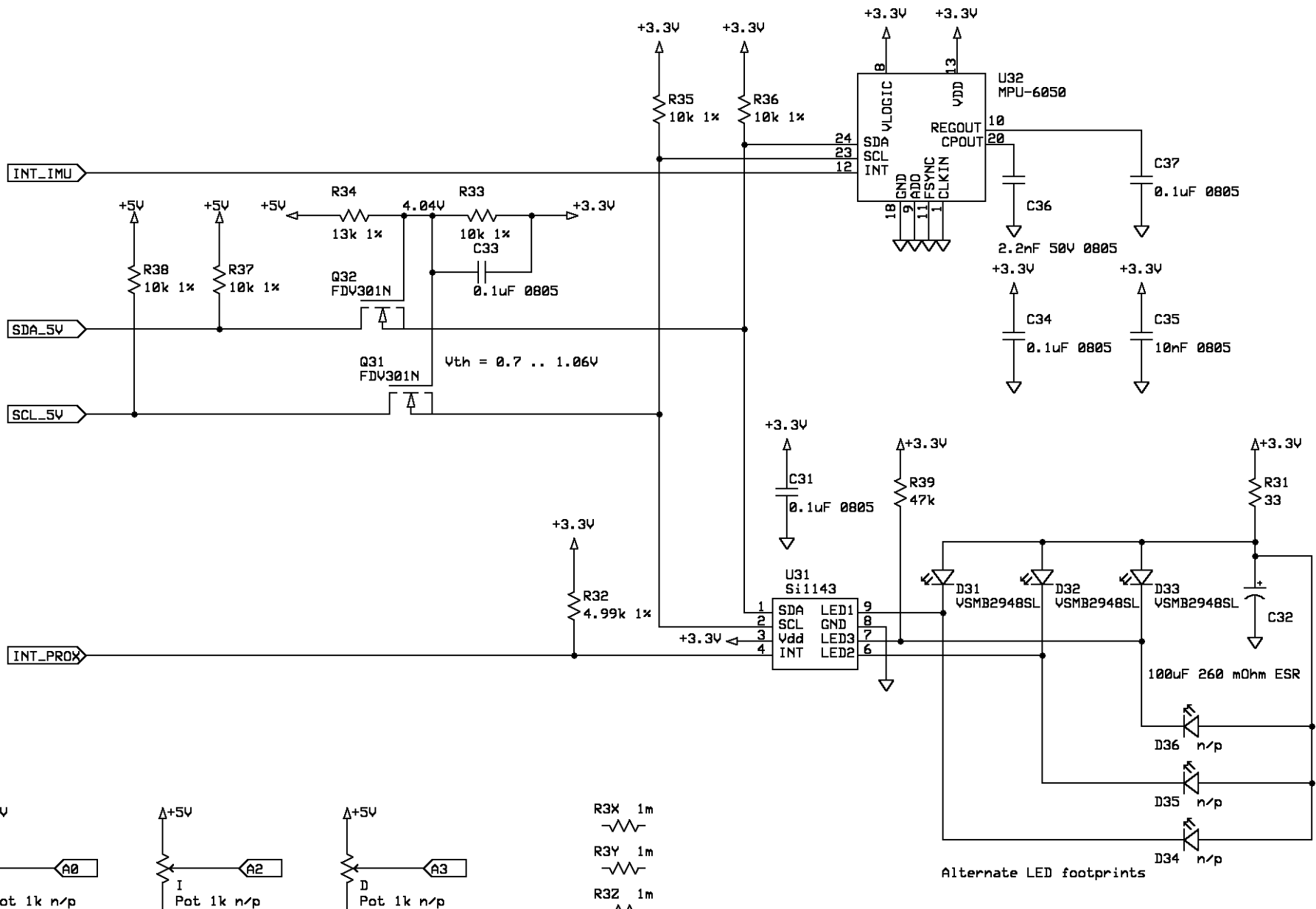


Original design (Arduino Uno) by M. Banzi,
 D. Cuartielles, T. Igoe, G. Martino, and D. Mellis
 Released under the Creative Commons Attribution Share-Alike 3.0 license
<http://creativecommons.org/licenses/by-sa/3.0/>

Stellar Robotics, LLC		
Lil'Bot MCU and USB interface		
C. Hakim	Rev 1.0	Page 1 of 4
	6/28/2014	



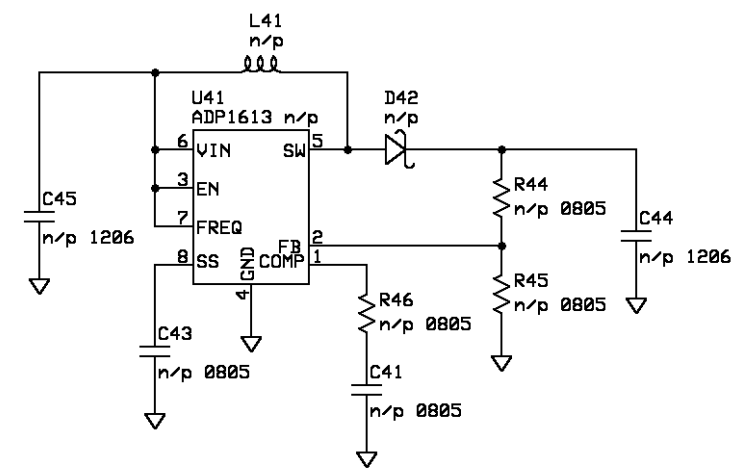
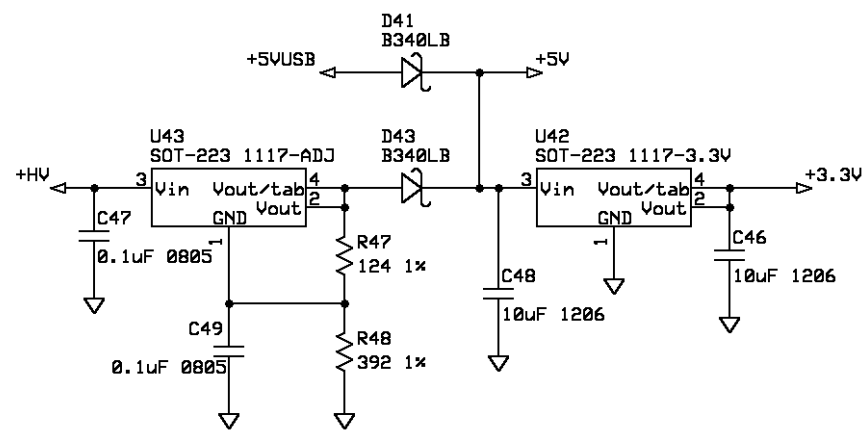
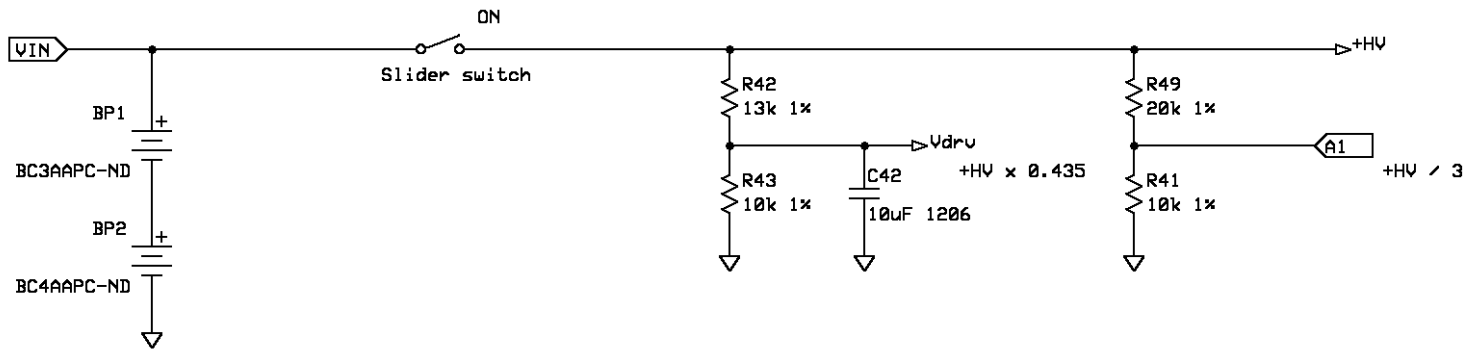


- R3X 1m
- R3Y 1m
- R3Z 1m
- R3T 1m

Optional mechanical reinforcements

Stellar Robotics, LLC		
Lil'Bot sensors		
C. Hakim	Rev 1.0 6/28/2014	Page 3 of 4

From fuel-cell or other power shield



Unused power-supply PCB footprint

